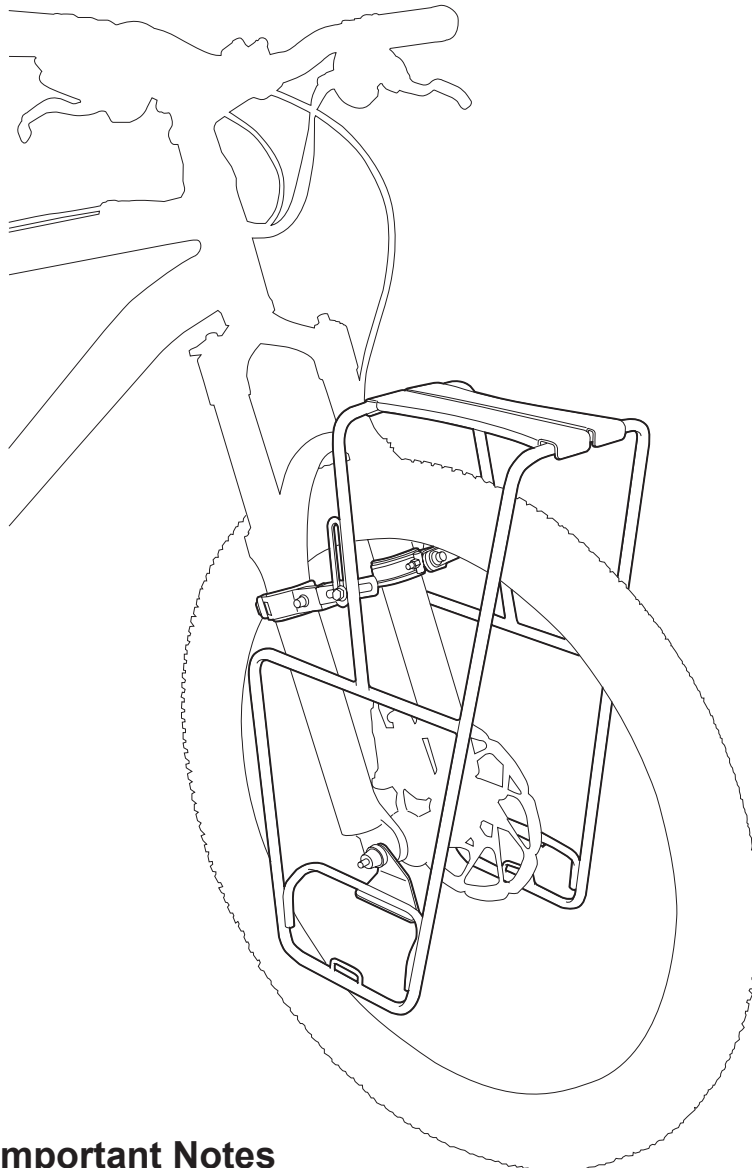


MT-4000SF



This product is a front luggage rack for bicycle with suspension fork. Not for use with a rigid fork.

The rack is designed to be compatible with a standard pannier bag. The bag attaches to the rack frame with its top hooks which inner width is 10mm.

Read these instructions carefully before installing for your safety.

(Example: Installed on a MTB)



### Important Notes

*Installation of this product requires removal and re-installation of the front wheel quick release skewer that is one of the most important parts on your bike for safety reasons.*

*If the process was not done properly, it may cause a serious accident that the front wheel will come off from the front fork while riding.*

*You must ask to a well educated mechanic who has enough knowledge and good experience on this kind of job if you are not confident on doing it by yourself.*

*Minoura will not be responsible with any result that has been caused by your own work.*

*This rack can be installed on the standard front suspension fork which bottom tube diameter is between 38mm and 40mm. Any other size is not suitable, including plain rigid fork and inverted type suspension fork. If you wish to install onto outsize fork, do it at your own risk.*

*Max load capacity of this rack is 15 kgs.*

### Contact:

#### MINOURA JAPAN

1197-1 Godo, Anpachi, Gifu 503-2305 Japan

Phone +81-584-27-3131 / Fax +81-584-27-7505

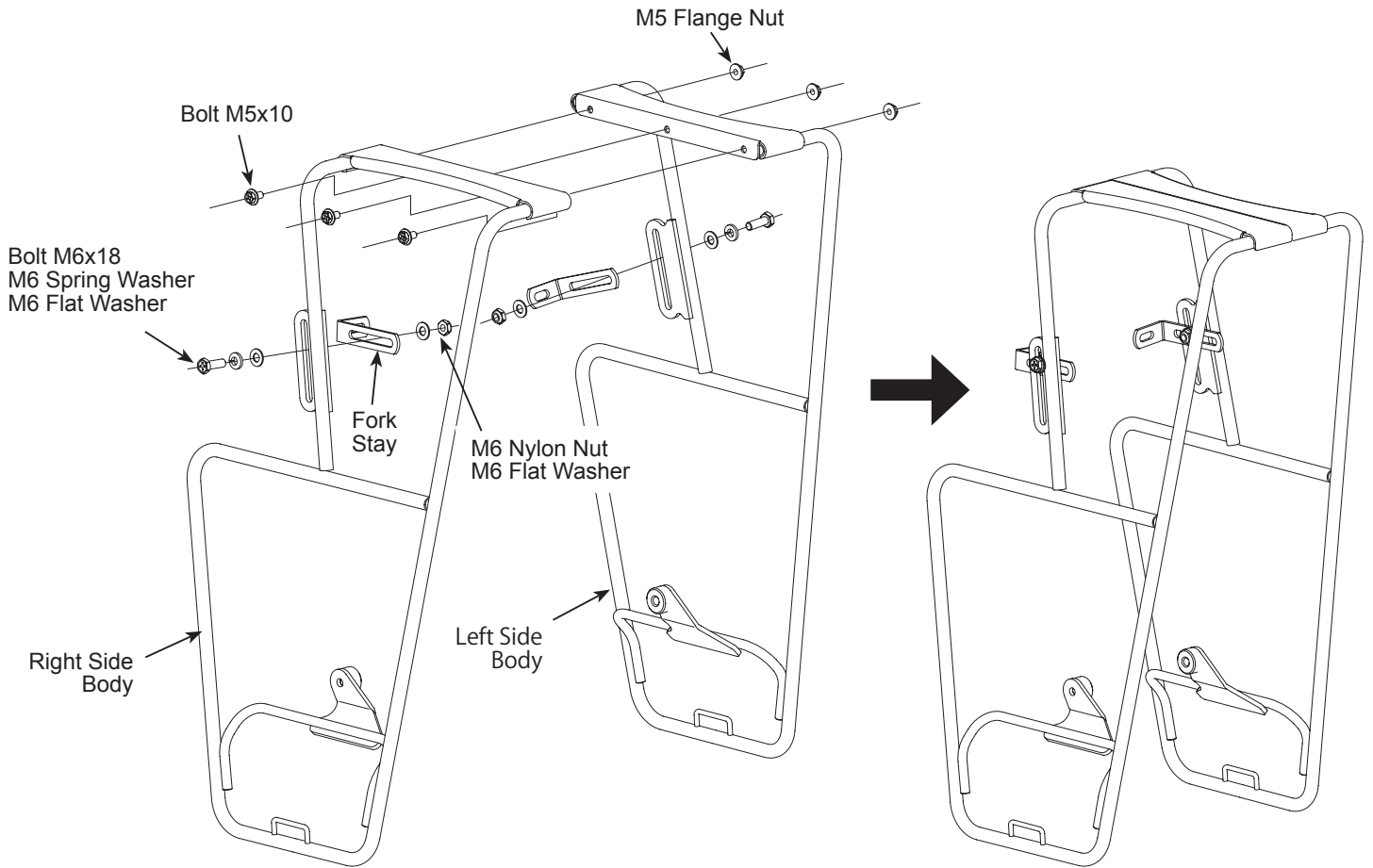
minoura@minoura.jp www.minoura.jp

Made in Japan

## Required Tools

M4 Hex Wrench, 8mm Socket Wrench (x2), 10mm Socket Wrench, 10mm Spanner

- 1 Connect the right and left side bodies together with three M5x10 bolts, and install the fork stay on the bracket on each side slot. You will adjust the stay position later, so you don't need to tighten the bolt so firmly yet.



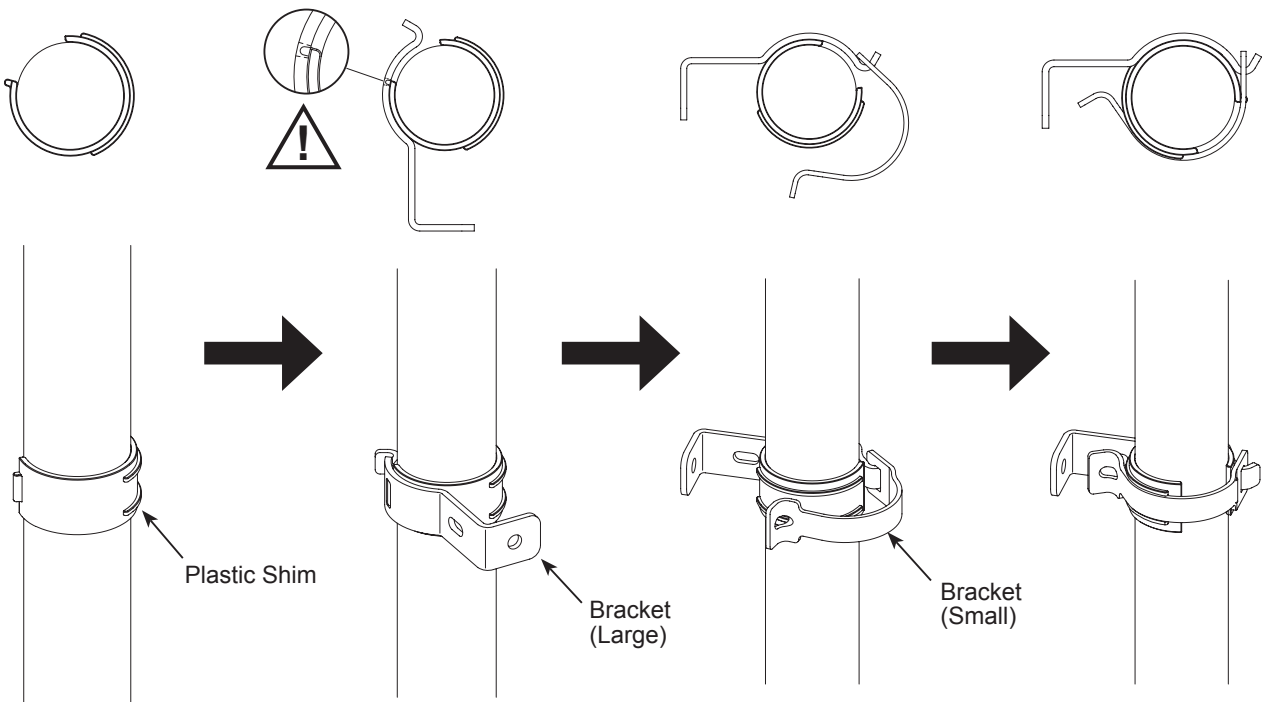
- 2 The mounting band should be installed at the point approximately 250mm above from the front wheel axle. Wind the plastic shim (protector) around the stanchion tube and put the metal band on it.  
*(The following images show the bracket direction for the right side fork.)*

Locate the plastic shim as the dual rib side is on your right hand side.

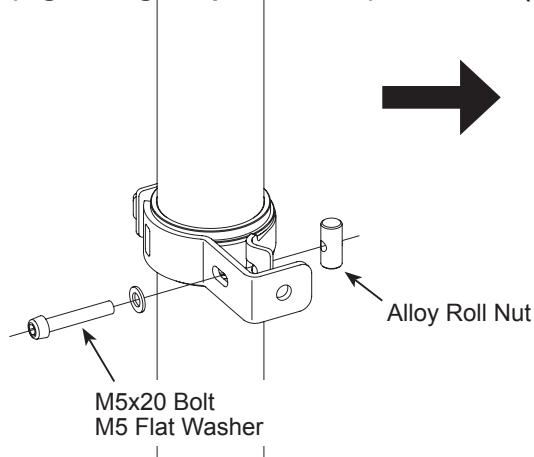
Attach the larger bracket on your left hand side. Make sure the single projection of the shim is located in the hole on the bracket.

While holding the bracket, hook the smaller bracket together and wind the stanchion tube.

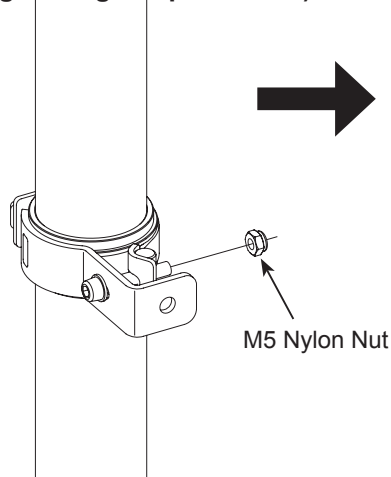
Place the smaller bracket between the dual ribs. Hold this position for a while.



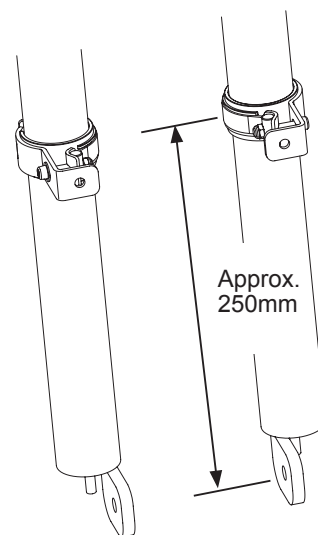
- 3** Insert M5x20 bolt with flat washer from outside of the larger bracket, then screw to the alloy roll nut. (Tightening Torque : 1.5 N.m)



- Screw M5 Nylon nut to the bolt with 10mm socket wrench to fix. (Tightening Torque : 3 N.m)



Installation completed



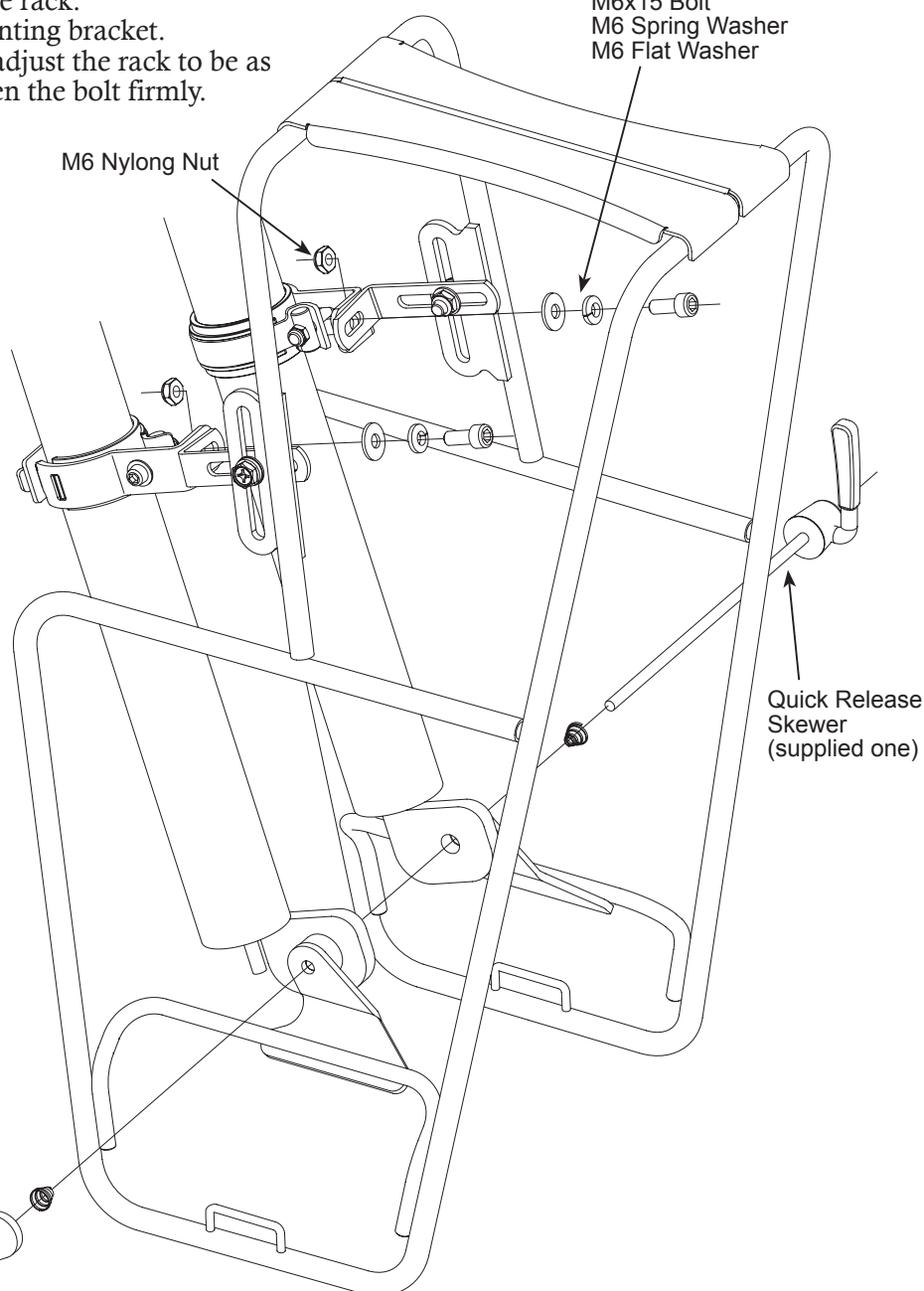
**NOTE: The roll nut is made of soft alloy. Do not overtighten to avoid the damage on the thread.**

- 4** Replace the front wheel quick release skewer with the supplied longer one to support the rack. Connect the fork stay to the mounting bracket. Loosen the bolt of the fork stay, adjust the rack to be as horizontal as possible, then tighten the bolt firmly.

Finally, tighten the quick release skewer with proper process.

M6 Nylon Nut

M6x15 Bolt  
M6 Spring Washer  
M6 Flat Washer



**This rack is made of steel. If the paint peels away the rack may rust which can compromise the steel. If you find rust, remove it with sandpaper and retouch the paint. Regular maintenance is recommended, especially if using near bodies of water.**

**When breaking down your bike for travel or shipping, make sure to remove the rack from the front fork.**